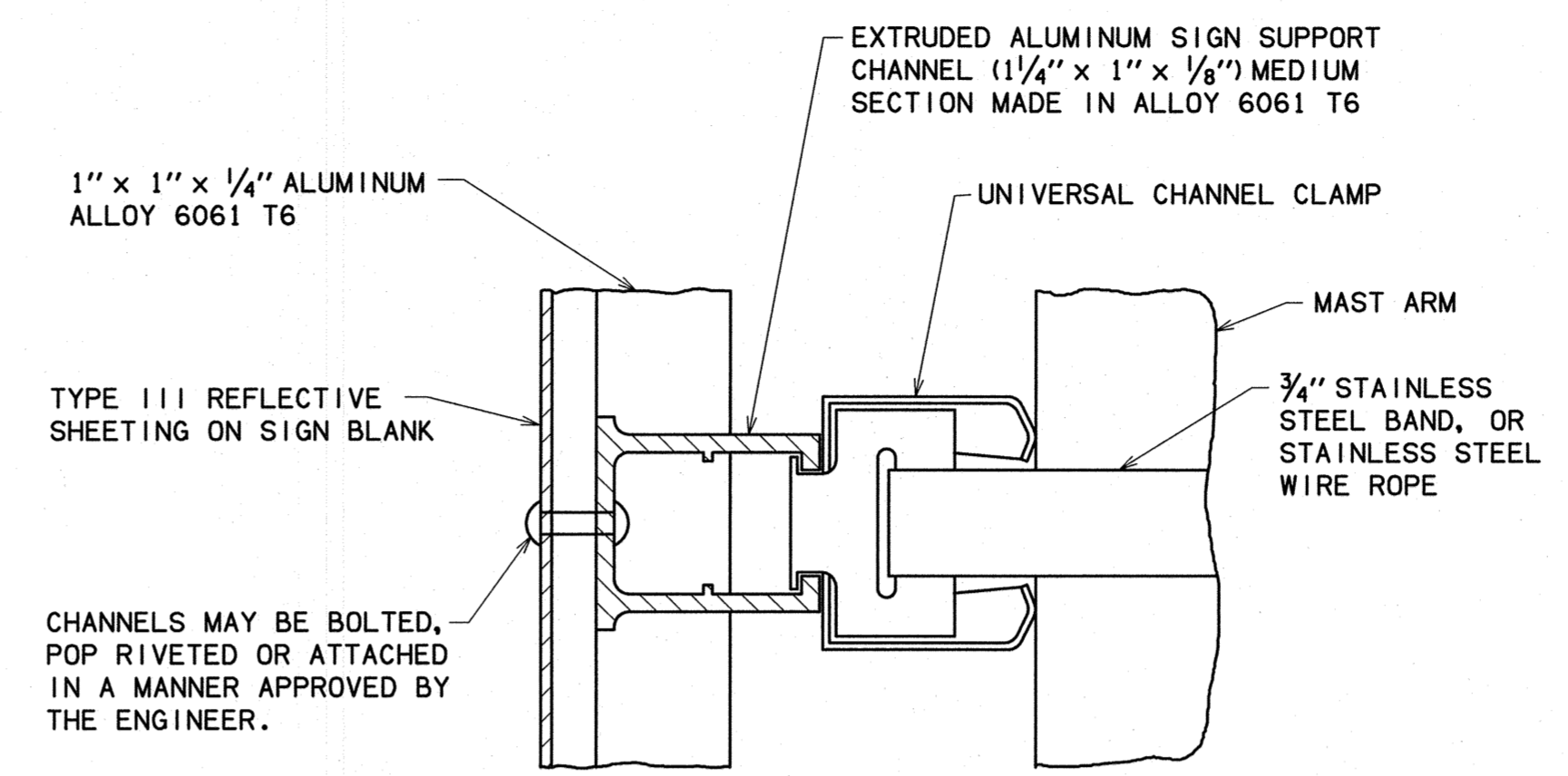
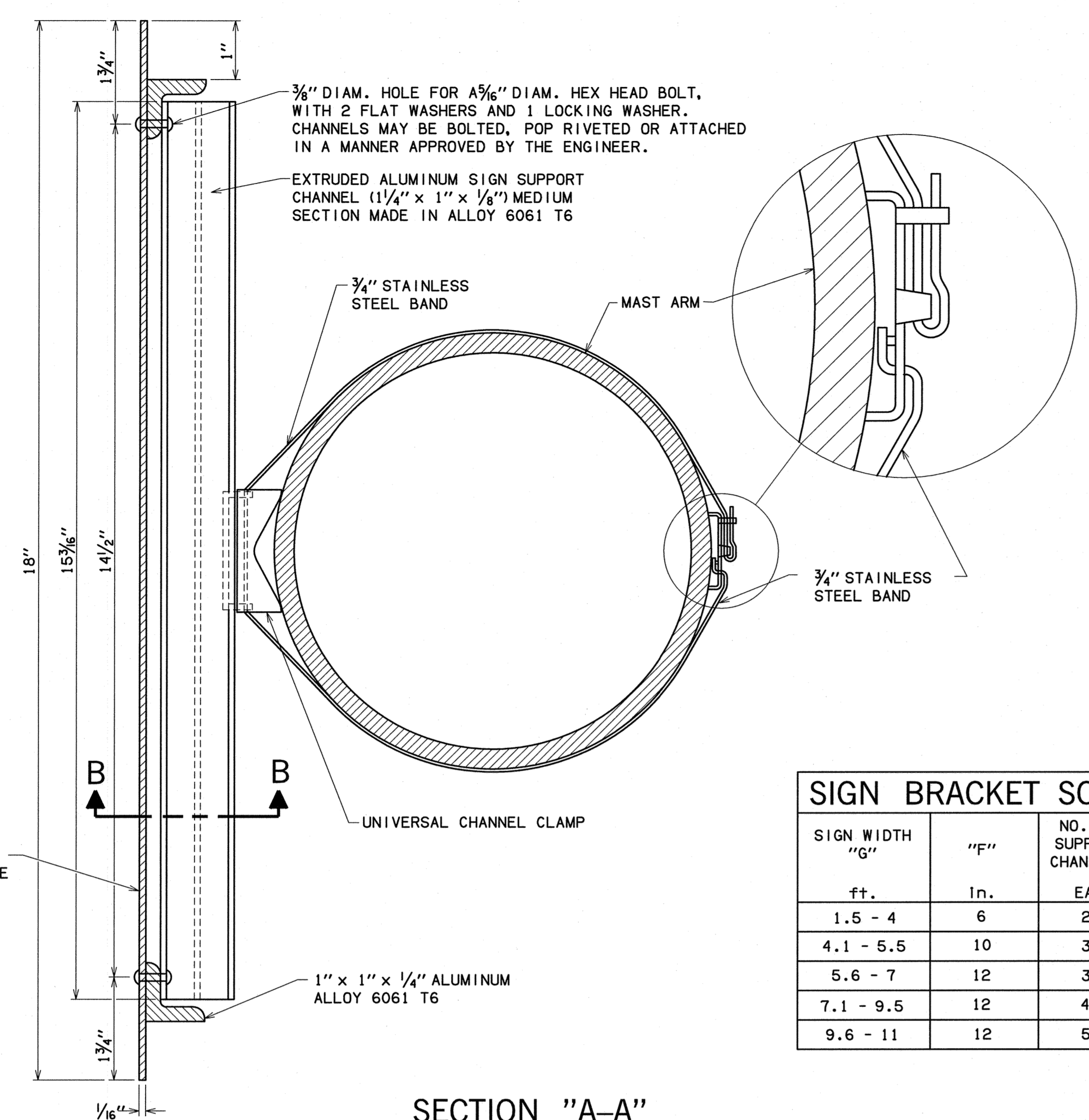


DESCRIPTION	REVISIONS	DATE
ADDED GENERAL NOTE 2.		7/08/2011
UPDATED SYMBOLS		4/2/2013



SECTION "B-B"

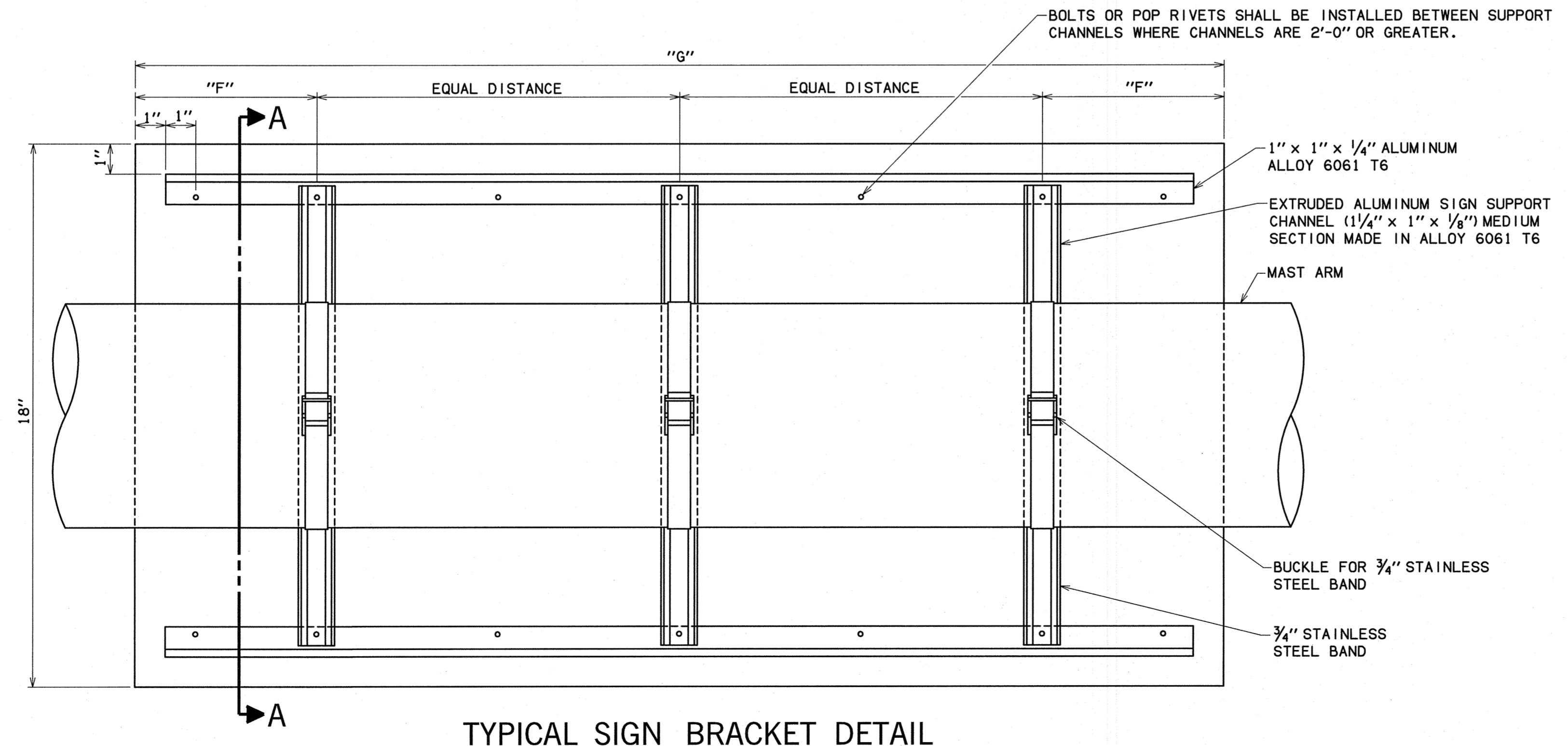
SIGN BRACKET SCH.

SIGN WIDTH "G"	"F"	NO. OF SUPPORT CHANNELS
ft.	in.	EA.
1.5 - 4	6	2
4.1 - 5.5	10	3
5.6 - 7	12	3
7.1 - 9.5	12	4
9.6 - 11	12	5

STREET NAME SIGNS SHALL BE INSTALLED AT APPROX. 2'-0" FROM THE EDGE OF POLE TO EDGE OF SIGN.

- GENERAL NOTES**
- STREET NAME SIGNS SHALL BE MOUNTED ON MAST ARMS USING A MODIFIED MOUNTING BRACKET EQUIVALENT TO THOSE USED FOR MOUNTING SIGNAL HEADS. THESE SIGNS SHALL BE LOCATED 2'-0" FROM THE POLE ON THE MAST ARM. THICKNESS OF SIGN MATERIAL SHALL BE 1/16".
 - LETTER SIZES FOR MAST ARM MOUNTED SIGNS SHALL BE 12" UPPER CASE (FIRST LETTER) AND 9" LOWER CASE LETTERS.

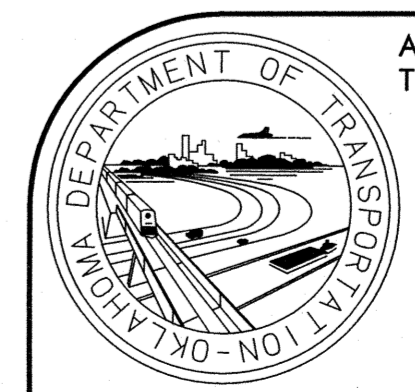
SECTION "A-A"



TYPICAL SIGN BRACKET DETAIL

BASIS OF PAYMENT

ITEM NO.	ITEM	UNIT
850(C)	MASTARM MOUNTED SIGNS	SF



APPROVED BY TRAFFIC ENGINEER: *Charles Smith* DATE: 4/18/2013

TRAFFIC STANDARD
STREET NAME SIGNS